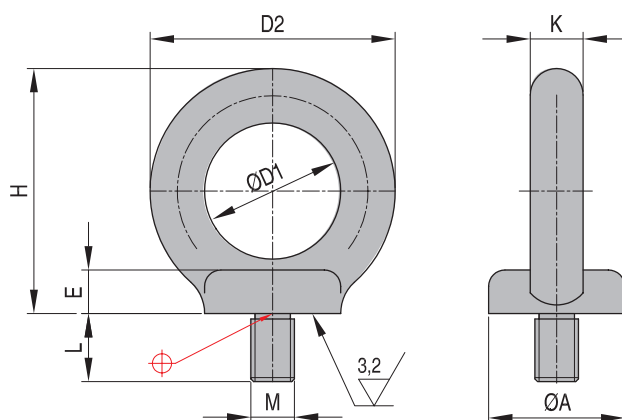


RM

Рым-болты

Материал 1.7131 60 HRC



Артикул	A	D1	D2	L	H	(N)	K	M
RM08	20	20	36	13,0	36	1400	8	M8 x 1,25
RM10	25	25	45	17,0	45	2300	10	M10 x 1,50
RM12	30	30	54	20,5	53	3400	12	M12 x 1,75
RM14	35	35	63	27,0	62	4900	14	M14 x 2,00
RM16	35	35	63	27,0	62	7000	14	M16 x 2,00
RM18	40	40	72	30,0	71	9000	16	M18 x 2,50

Артикул	A	D1	D2	L	H	(N)	K	M
RM20	40	40	72	30,0	71	12000	16	M20 x 2,50
RM22	45	45	92	34,0	90	15000	18	M22 x 2,50
RM24	50	50	90	36,0	90	18000	20	M24 x 3,00
RM27	50	50	90	36,0	90	18000	20	M27 x 3,00
RM30	65	60	108	45,0	109	36000	24	M30 x 3,50
RM36	75	70	126	54,0	128	51000	28	M36 x 4,00